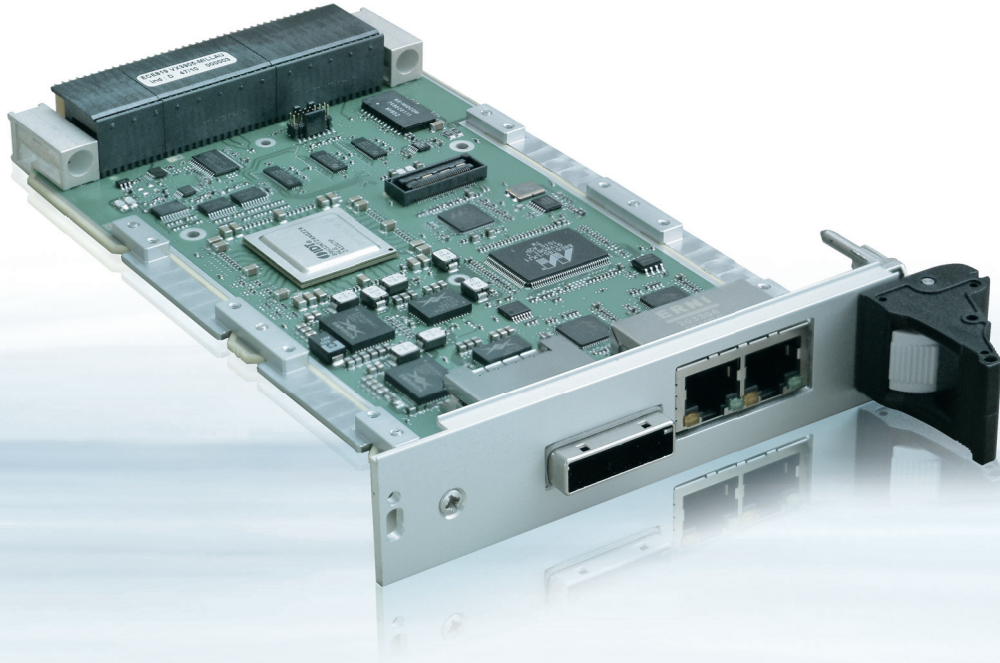


VX3905

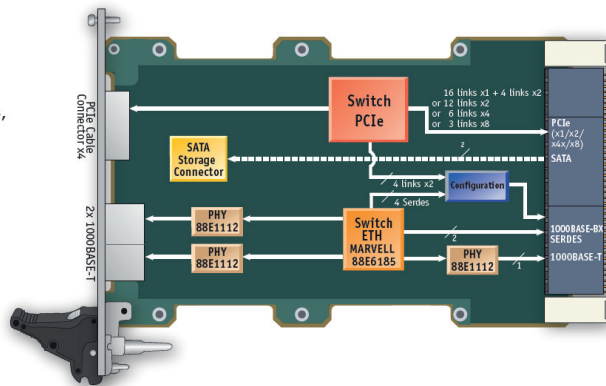


3U VPX™ PCI EXPRESS AND ETHERNET HYBRID SWITCH

- ▶ compliant with OpenVPX VITA65 profile SLT3-SWH-6F6U-14.4.1
- ▶ up to 24 ports/32 lanes PCIe switch
- ▶ 9 port Giga ethernet switch
- ▶ air-cooled and conduction-cooled builds

PRODUCT OVERVIEW

- ▶ PCI Express Switch: up to 24 lanes on VPX, user configurable as x8, x4, x2 or x1 links
- ▶ Gen1 and Gen2 PCI Express protocol
- ▶ x4 PCI Express Cable downstream output on the front
- ▶ Ethernet Switch: 6 1000BASE-BX on VPX, 1 1000BASE-T on the rear, 2 1000BASE-T on the front
- ▶ Built options with no Ethernet and up to 32 PCIe lanes on VPX, PCIe common clock generator, Ethernet only or SATA from VPX: please refer to "VX3905 User's Guide" for more details.



TECHNICAL INFORMATION

PCI EXPRESS SWITCH	IDT 89H32NT24AG2; 32 Lanes, up to 24 Ports; User configurable ports as x8, x4, x2; (and x1 for 16 lanes); PCI Express gen2 and gen1; Front x4 PCI Express cable connector (SA build only)
SATA STORAGE CARRIER	Optional Sata disk carrier compliant with OpenVPX VITA65 SLT3-STO-2U-14.5.1
GIGA ETHERNET SWITCH	Marvell MVL88E6185; 9 Giga ethernet ports; 3 on board 1000BaseT PHY, 2 front RJ45 1000BaseT; (SA build only), 1 rear 1000BaseT; 6 1000BaseBX rear links
POWER REQUIREMENT	Single +5 V power supply; 20 W max (without Sata drive)

ENVIRONMENTAL SPECIFICATION

	SA - STANDARD COMMERCIAL	RC - RUGGED CONDUCTION-COOLED
CONFORMAL COATING	Optional	Standard
AIRFLOW	1.5 m/s	na
TEMPERATURE	VITA 47-Class AC1	VITA 47-Class CC4
COOLING METHOD	Convection	Conduction
OPERATING	0° to +55° C	-40° to +85° C
STORAGE	-45° to +85° C	-45° to +85° C
VIBRATION SINE (OPERATING)	20/500 Hz: 2g	22/2,000 Hz: 5g
RANDOM	VITA 47-Class V1	VITA 47-Class V3
SHOCK (OPERATING)	20 g / 11 ms Half Sine	40 g / 20 ms Half Sine
ALTITUDE (OPERATING)	-1,650 to 15,000 ft	-1,640 to 60,000 ft
RELATIVE HUMIDITY	90 % without condensation	95 % without condensation

ORDERING INFORMATION

ARTICLE	PART NO.	DESCRIPTION
SA - STANDARD COMMERCIAL		
VX3905	VX3905-SA-01000 (-V for coating)	3U VPX, 1 inch slot pitch, Air-cooled build
RC - RUGGED CONDUCTION-COOLED		
VX3905	VX3905-RC-0N000	3U VPX, fits 0.8 inch (or more) slot pitch backplanes, Rugged conduction-cooled build

Refer to "VX3905 User's Guide" for additional options

ASSOCIATED PRODUCTS: 3U VPX CENTRALIZED BACKPLANES

IFDP08-11N-3U	IFDP08-11N-3UVPXV1S1	3U, 1.0" Pitch, Single Star x4 Topology
IFDP08-11N-3U	IFDP08-11N-3U-VPX2	3U, 1.0" Pitch, Dual Star x4 Topology
IFDP08-11N-3U	IFDP08-11N-3UVPXV3S1	3U, 1.0" Pitch, Single Star x2 Topology

CORPORATE OFFICES

EUROPE, MIDDLE EAST & AFRICA

Lise-Meitner-Str. 3-5
86156 Augsburg
Germany
Tel.: +49 821 4086 0
Fax: +49 821 4086 111
info@kontron.com

NORTH AMERICA

14118 Stowe Drive
Poway, CA 92064-7147
USA
Tel.: +1 888 294 4558
Fax: +1 858 677 0898
info@us.kontron.com

ASIA PACIFIC

1-2F, 10 Building, No. 8 Liangshuihe 2nd Street,
Economical & Technological Development Zone,
Beijing, 100176, P.R.China
Tel.: +86 10 63751188
Fax: +86 10 83682438
info@kontron.cn